

M MODEL

ADOA

Solicitation #: BPM003324 / Contract #: CTR054848
FY 2024

Preparer: _____

Base Model

Ram ProMaster 3500, 3.6L V-6, GVWR 9,350 lbs.



Base Model Price: \$ 151,152.00

Base Model Options: \$ -

Options: \$ -

CBS Published Options: \$ 425.00

CBS Unpublished Options: \$ 4,800.00

County Delivery Cost: **Mohave** \$ 250.00

Vehicle Length	Lift Position	WC Positions	Passengers	CDL Required
21'	Side Ramp	2	8 or 9	No

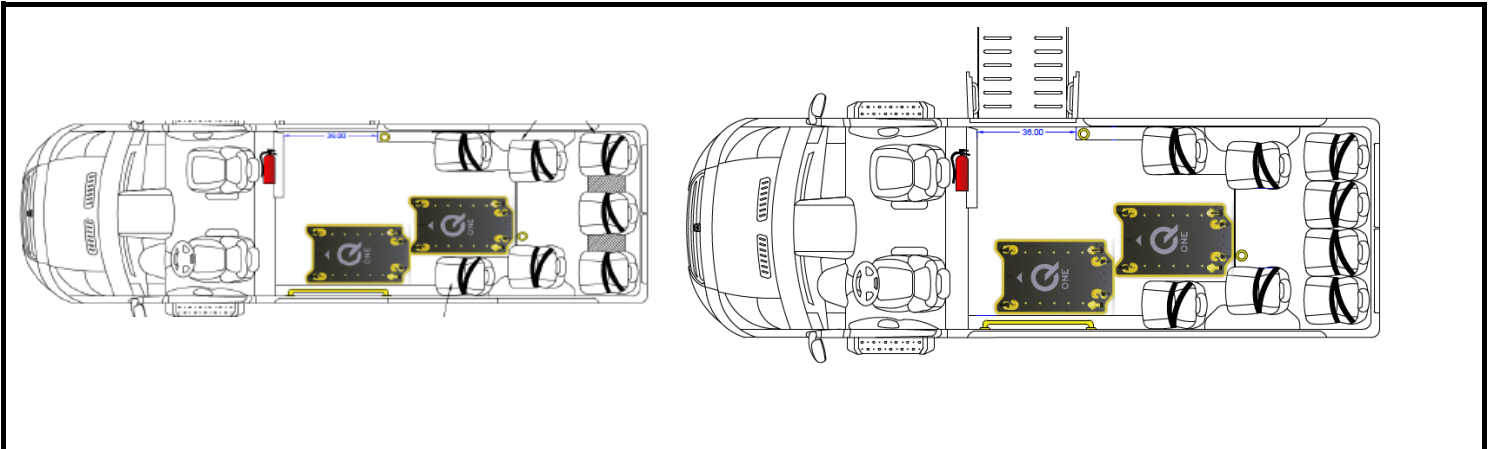
QTY Vehicles: **1** Total Contract Price: **\$ 156,627.00**

Per Vehicle Price: \$ 156,627.00

Customer Info

Customer:	Lake Havasu City
Address:	900 London Bridge Road, Building B
Contact:	Jeanette Buckley
Office Phone:	928-680-5465
Mobile Phone:	
E-Mail:	buckleyj@lhcaz.gov

Floorplan



ProMaster 3500

Standard Features

FTA Buy America compliant
ADA-Compliant Low Floor Conversion
Unibody Construction
Front-Wheel Drive Powertrain
Engine: 3.6 Liter Pentaster V-6 Gas, 280 HP
6-Speed Automatic Transmission
GVWR: 9,350 lbs.
Wheelbase: 159"
Overall Height: 101" Overall Width: 80"
Turning Radius: 46.8'
Oil Change Intervals: 8-10K miles
Floor Drop: 9" Ground-to-First-Step Height: 12.5"
Ramp Width: 32" Ramp Load Rating: 1,000 lbs.
Manual Swing-Away Aluminum Ramp
Offers 1 or 2 ADA-Compliant Wheelchair Positions
ABS Interior Panels on Walls and Ceiling
Closed Cell Foam Insulation in Walls and Ceiling
Bus Style Entrance Door, 32" Clear Opening
A&M Systems Door Header
3-Point Lap/Shoulder Belts on All Seats
LED Interior lighting
No Modifications to OEM Drive Train or Suspension
Powertrain Warranty: 5-Year / 60,000 Miles
Body Conversion Warranty: 3-Year / 36,000 Miles

Base Model Options

Qty	Part #	Description	FY 2024 List Price	QTY Total
1		Manual Swing Away Ramp 32" WIDE	STD - Included	STD - Included
1		Gerfloor Flooring	STD - Included	STD - Included
1		Panels for Walls: ABS Interior wall, ABS ceiling Insulation for walls	STD - Included	STD - Included
1		Q'Straint with SLIDE N CLICK	STD - Included	STD - Included
1		QUBE retractable system for 2nd position on back	STD - Included	STD - Included
1		Rear A/C & Rear Heat	STD - Included	STD - Included
1		New Exhaust System	STD - Included	STD - Included
1		2 - Passenger Freedman Seats, 3pt (on back-level 4 vinyl) curbside	STD - Included	STD - Included
1		2 - Passenger Freedman Seats, 3 pt (on back-level 4 vinyl) streetside	STD - Included	STD - Included
1		2 per van /1 Passenger rigid seats (level 4 vinyl) curbside	STD - Included	STD - Included
1		2 per van / 1 Passenger rigid seat (level 4 vinyl) streetside	STD - Included	STD - Included
1		Safety Kit (first aid kit, fire extinguisher, triangles)	STD - Included	STD - Included
1		Back up alarm	STD - Included	STD - Included
1		LED strip lighting	STD - Included	STD - Included
1		Emergency window	STD - Included	STD - Included
1		Storage bags (2) per Van	STD - Included	STD - Included
1		Driver and Passenger sidesteps	STD - Included	STD - Included
1		Handrails-& Decals	STD - Included	STD - Included
1		Amber LED light	STD - Included	STD - Included
1		Trans/Air 50K BTU AC Upgrade	Included Buy America Content	Included Buy America Content
1		Q'Straint InQline Assist	Included Buy America Content	Included Buy America Content
1		(2) Q'Straint One Tie Down System	Included Buy America Content	Included Buy America Content
1		Q'Straint Omni Floor	Included Buy America Content	Included Buy America Content
-		Subtotal Base Model Options:		\$ -

CBS Published Options

Qty	Part #	Description	FY 2023 List Price	QTY Total
1	M1-S-9	Detail	\$425.00	\$ 425.00
-		Subtotal Manufacturer Options:		\$ 425.00

CBS Unpublished Options

Qty	Part #	Description	FY 2024 List Price	QTY Total
1	M1-U-1	SEON DH4/Duet Camera System w/ installation	\$ 4,800.00	\$ 4,800.00
1	M1-U-2	In-Stock MY2023		\$ -
-			Subtotal CBS Unpublished Options:	\$ 4,800.00